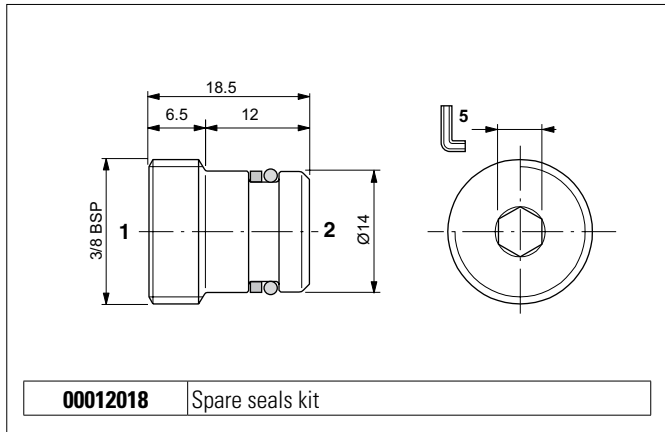


ONE-WAY CHECK VALVES

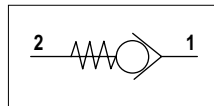


The unidirectional check valve allows oil to flow in only one direction. The guided ball seal is made of tempered and ground steel. The spring allows the valve to be mounted in any position. Steel body.

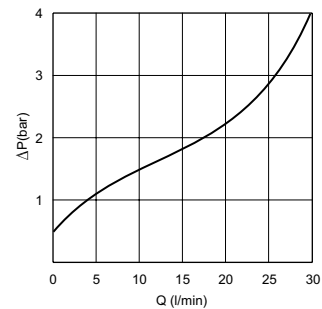
HYDRAULIC FEATURES

| | |
|--|--------------------------------|
| Max. working pressure | 300 bar |
| Max. Flow | 30 l/min |
| Max. Leakage (0 ÷ 5 drops/min) | 0 ÷ 0.25 cm ³ /min |
| Hydraulic fluid | DIN 51524 Mineral oils |
| Fluid viscosity | 10 ÷ 500 mm ² /s |
| Fluid temperature | -25°C ÷ 75°C |
| Ambient temperature | -25°C ÷ 60°C |
| Max. contamin. level class with filter | ISO 4406:1999 - class 19/17/14 |
| Weight | 0.09 kg |
| Tightening torque | 16 ÷ 18 Nm |
| Cavity (3/8 BSP) | CG03004 (See section 15) |

HYDRAULIC SYMBOL

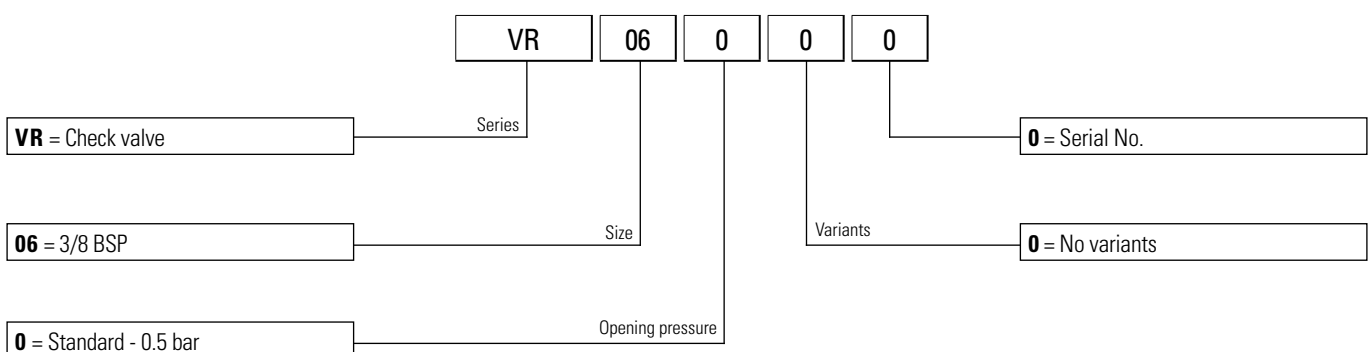


PRESSURE DROPS

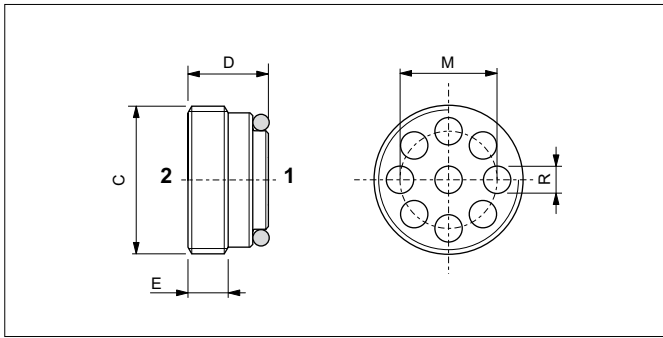


Fluid used: mineral based oil with viscosity 32 mm²/s at 40°C.

ORDERING CODE



ONE-WAY CHECK VALVES



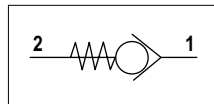
The unidirectional check valve allows oil to flow in only one direction. The guided half-ball seal is made of tempered and ground steel. The spring allows the valve to be mounted in any position. Steel body.

HYDRAULIC FEATURES

| C | Flow max (l/min) | Pressure max (bar) | M (mm) | R (mm) | D (mm) | E (mm) | Tightening torque (Nm) | Weight (kg) |
|---------|------------------|--------------------|--------|--------|--------|--------|------------------------|-------------|
| 1/4 BSP | 20 | 350 | 8.5 | 2.2 | 8.5 | 4.4 | 6 | 0.005 |
| 3/8 BSP | 50 | 350 | 10.8 | 3 | 11.3 | 6 | 6 | 0.011 |
| 1/2 BSP | 80 | 350 | 14.2 | 3.8 | 12.7 | 6.5 | 10 | 0.019 |

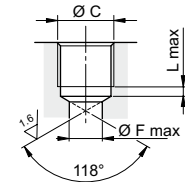
| | |
|--|--------------------------------|
| Max. Leakage (0 ÷ 5 drops/min) | 0 ÷ 0.25 cm ³ /min |
| Hydraulic fluid | DIN 51524 Mineral oils |
| Fluid viscosity | 10 ÷ 500 mm ² /s |
| Fluid temperature | -25°C ÷ 75°C |
| Ambient temperature | -25°C ÷ 60°C |
| Max. contamin. level class with filter | ISO 4406:1999 - class 19/17/14 |

HYDRAULIC SYMBOL



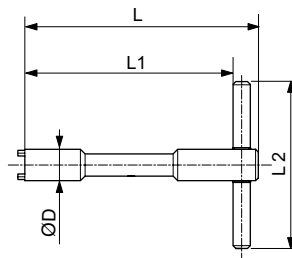
SEAL

| C | F (mm) | L (mm) |
|---------|--------|--------|
| 1/4 BSP | 7 | 3 |
| 3/8 BSP | 9 | 3.5 |
| 1/2 BSP | 12 | 4.5 |

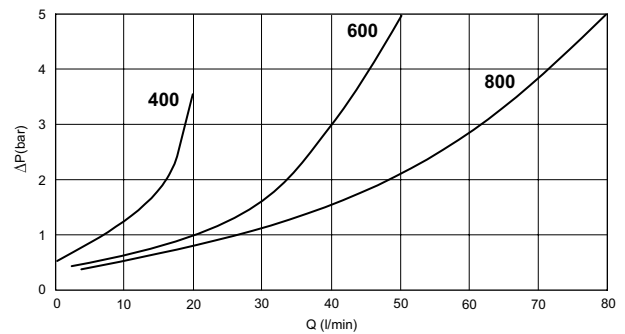


KEY FOR TIGHTENING VALVE

| Code key | For valve | D (mm) | L (mm) | L1 (mm) | L2 (mm) |
|----------|-----------|--------|--------|---------|---------|
| AVA174 | VUI0400 | 11.4 | 120 | 105.5 | 100 |
| AVA176 | VUI0600 | 14.9 | 120 | 105.5 | 100 |
| AVA178 | VUI0800 | 18.6 | 120 | 105.5 | 100 |

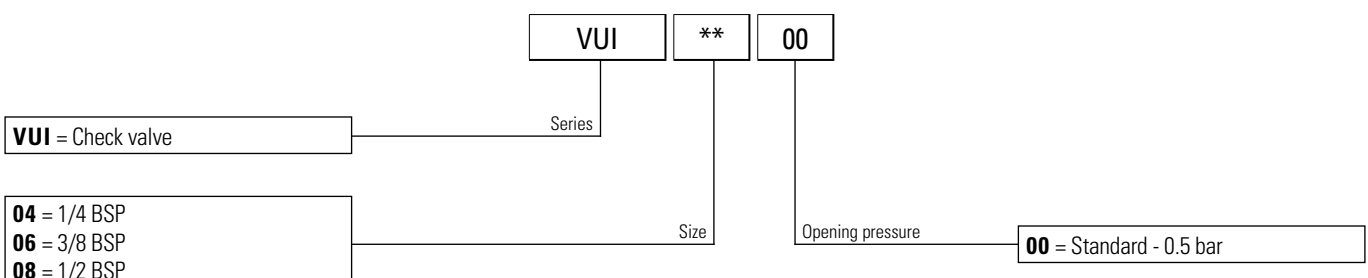


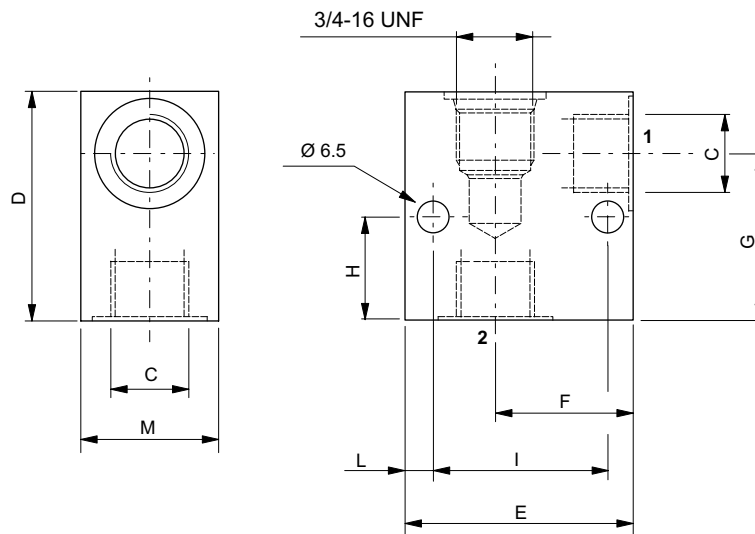
PRESSURE DROPS



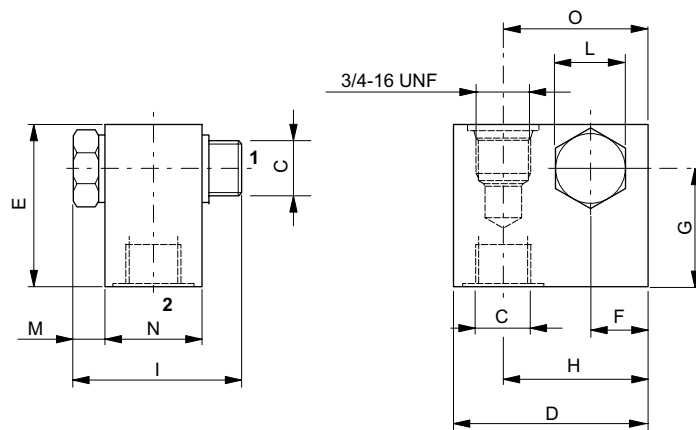
Fluid used: mineral based oil with viscosity 32 mm²/s at 40°C.

ORDERING CODE

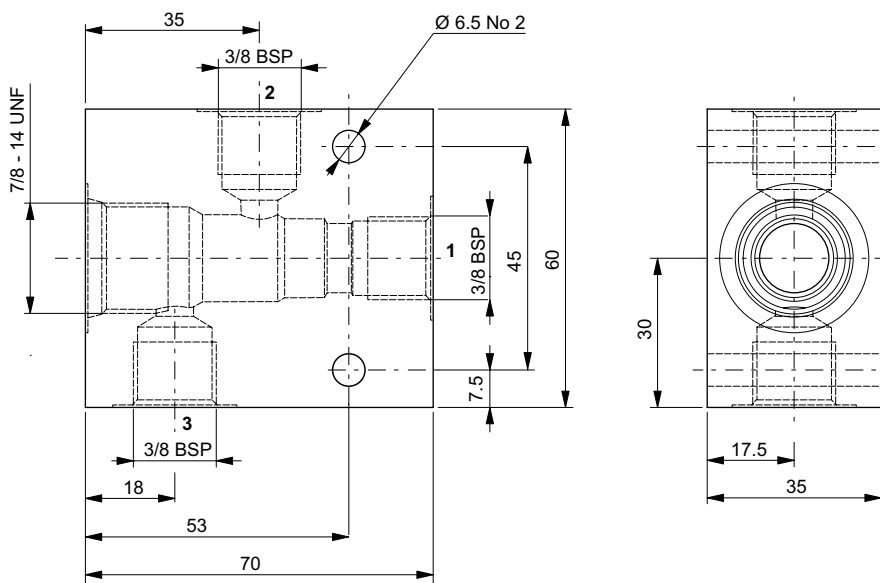




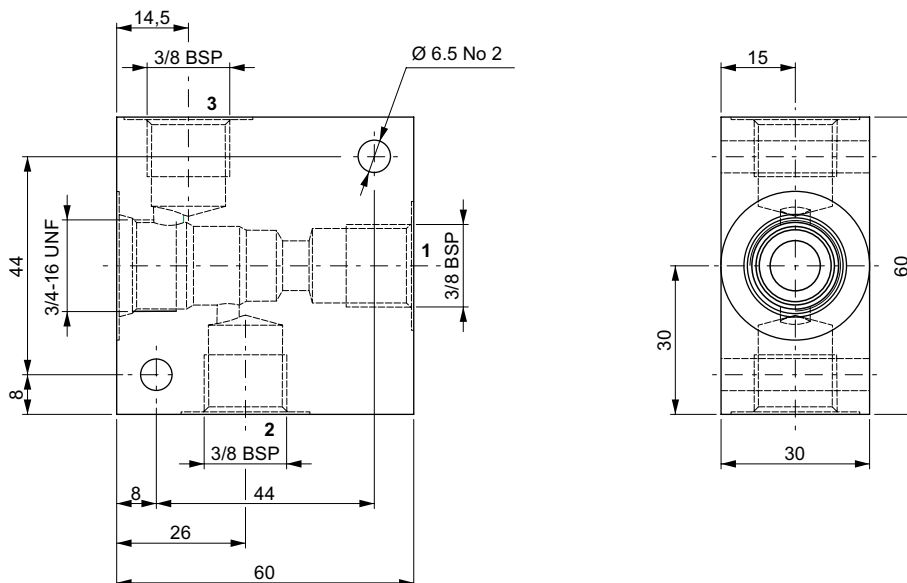
| Code | C | D (mm) | E (mm) | F (mm) | G (mm) | H (mm) | I (mm) | L (mm) | M (mm) | Material | Cavity |
|-----------|---------|--------|--------|--------|--------|--------|--------|--------|--------|-------------------------|----------|
| F07100013 | 1/4 BSP | 46 | 50 | 30,5 | 33 | 18 | 38 | 6 | 30 | Alluminio EN AW 2011 | CD018006 |
| M18400061 | 3/8 BSP | 55 | 60 | 38 | 41,25 | 25 | 45 | 7,5 | 30 | | |
| M18400071 | 1/2 BSP | 60 | 60 | 35 | 41 | 6 | 48 | 6 | 40 | | |



| Code | C | D (mm) | E (mm) | F (mm) | G (mm) | H (mm) | I (mm) | L (mm) | M (mm) | N (mm) | O (mm) | Material | Cavity |
|-----------|---------|--------|--------|--------|--------|--------|--------|--------|--------|--------|--------|--------------------------|----------|
| 17030532 | 3/8 BSP | 50 | 50 | 16 | 32 | 35 | 51 | 22 | 9 | 30 | 34,5 | Alluminium EN AW 2011 | CD018006 |
| V10500034 | 1/4 BSP | 40 | 46 | 11 | 31 | 26 | 49 | 19 | 8 | 30 | 26 | | |



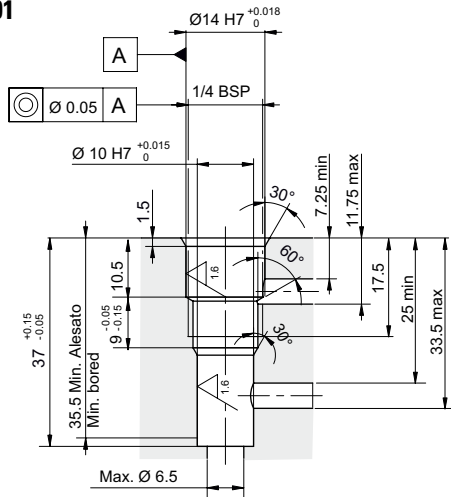
| Code | Material | Cavity |
|-----------|-------------------------|----------|
| M10850319 | Alluminium - EN AW 2011 | CD019006 |



| Code | Material | Cavity |
|-----------|-------------------------|----------|
| M10850206 | Alluminium - EN AW 2011 | CD018005 |

CA012001

1/4 BSP

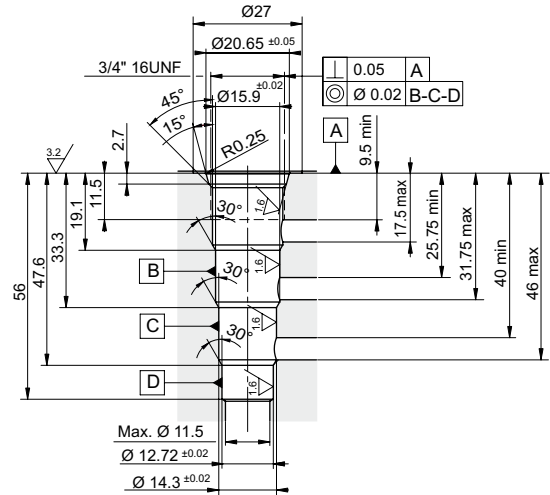


Plugs compatibility:

| | | | | |
|--|--|--|--|--|
| | | | | |
|--|--|--|--|--|

CD018001

3/4 16UNF

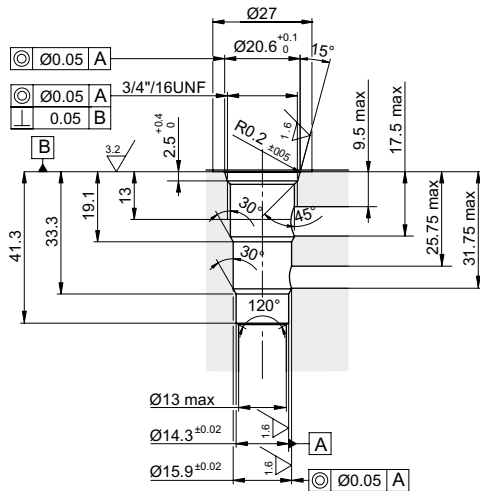


Plugs compatibility:

| | | | | |
|-----------|-----------|-----------|--|--|
| R78150114 | R78150109 | R78150111 | | |
|-----------|-----------|-----------|--|--|

CD018003

3/4 16UNF

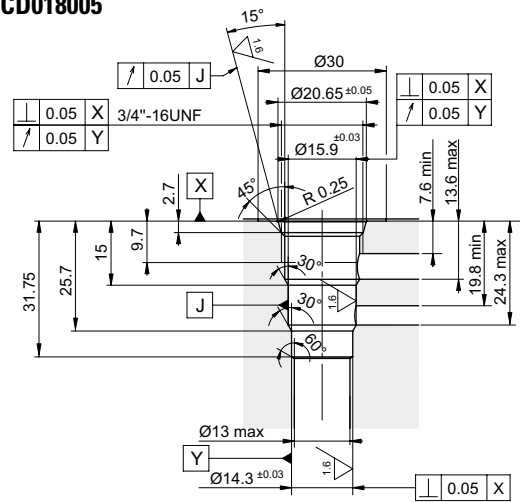


Plugs compatibility:

| | | | | |
|----------|----------|--|--|--|
| 20001700 | 20001900 | | | |
|----------|----------|--|--|--|

CD018005

3/4 16UNF

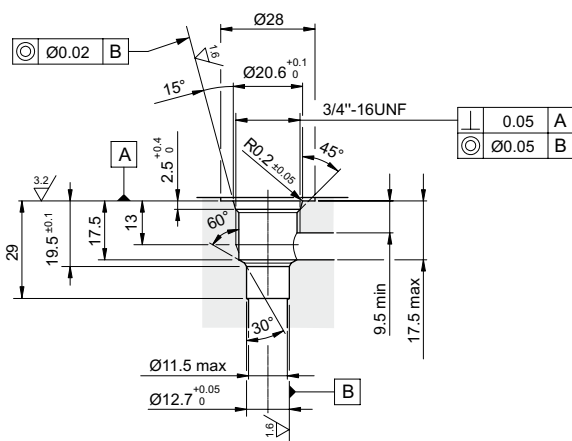


Plugs compatibility:

| | | | | |
|--|--|--|--|--|
| | | | | |
|--|--|--|--|--|

CD018006

3/4 16UNF

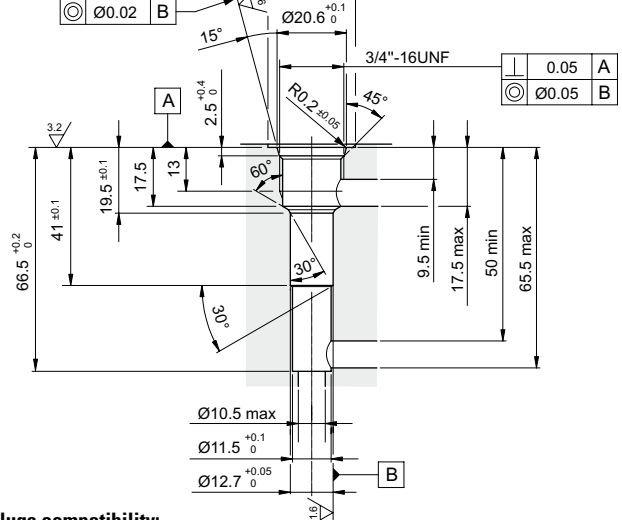


Plugs compatibility:

| | | | | |
|----------|----------|----------|----------|----------|
| 20001900 | 20001700 | 20003800 | 20009400 | 20018000 |
|----------|----------|----------|----------|----------|

CD018009

3/4 16UNF

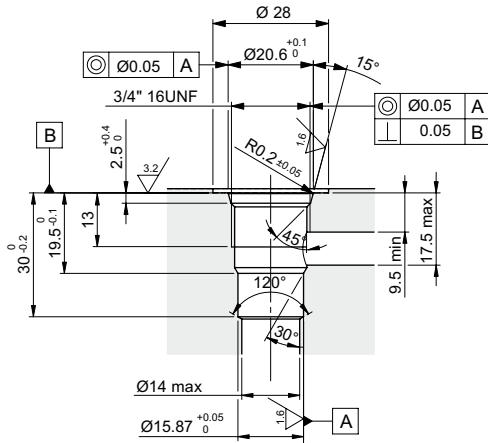


Plugs compatibility:

| | | | | |
|----------|----------|----------|----------|----------|
| 20001900 | 20001700 | 20003800 | 20009400 | 20018000 |
|----------|----------|----------|----------|----------|

CD018012

3/4 16UNF

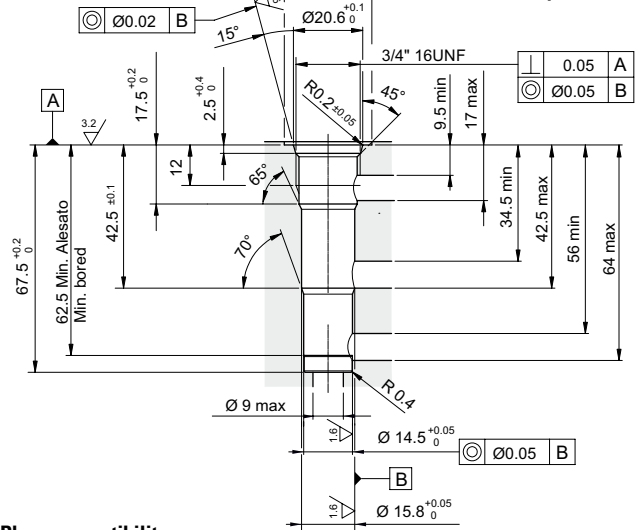


Plugs compatibility:

| | | | | |
|-----------|----------|----------|--|--|
| R78200A19 | 20001700 | 20001900 | | |
|-----------|----------|----------|--|--|

CD018013

3/4 16UNF

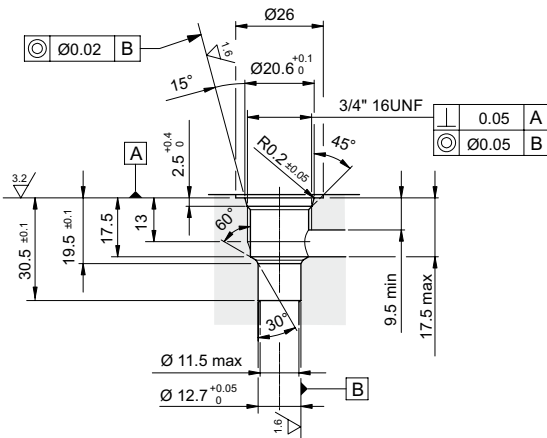


Plugs compatibility:

| | | | | |
|-----------|--|--|--|--|
| R78150100 | | | | |
|-----------|--|--|--|--|

CD018014

3/4 16UNF

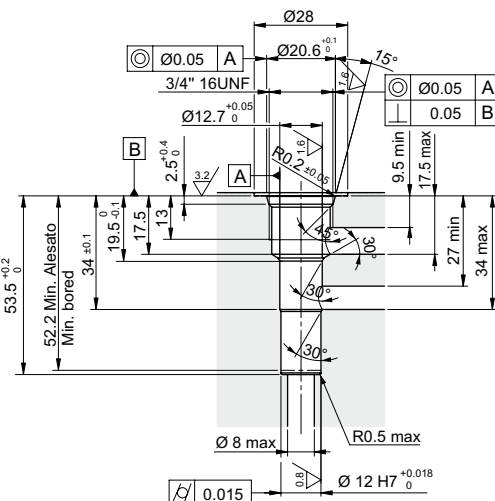


Plugs compatibility:

| | | | | |
|----------|----------|----------|----------|----------|
| 20001900 | 20001700 | 20003800 | 20009400 | 20018000 |
|----------|----------|----------|----------|----------|

CD018015

3/4 16UNF

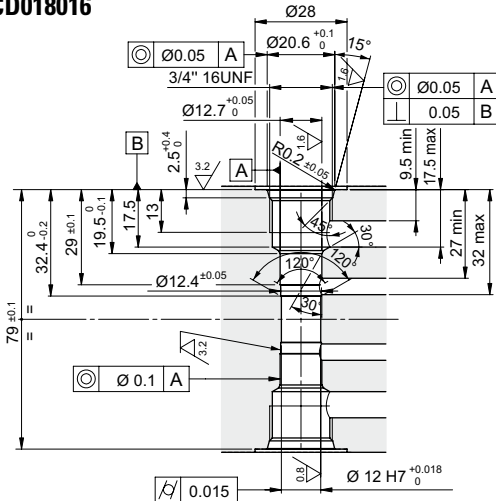


Plugs compatibility:

| | | | | |
|----------|----------|----------|----------|----------|
| 20018000 | 20001700 | 20001900 | 20003800 | 20009400 |
|----------|----------|----------|----------|----------|

CD018016

3/4 16UNF

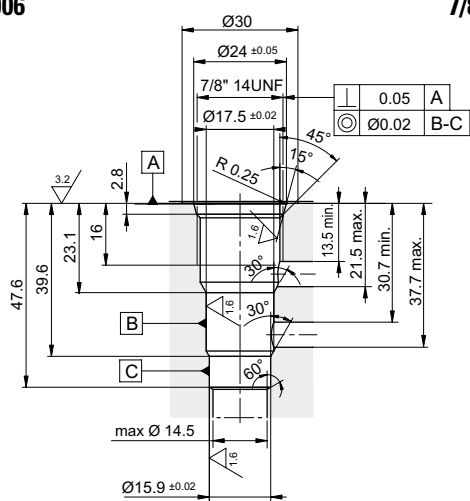


Plugs compatibility:

| | | | | |
|----------|----------|----------|----------|----------|
| 20018000 | 20001700 | 20001900 | 20003800 | 20009400 |
|----------|----------|----------|----------|----------|

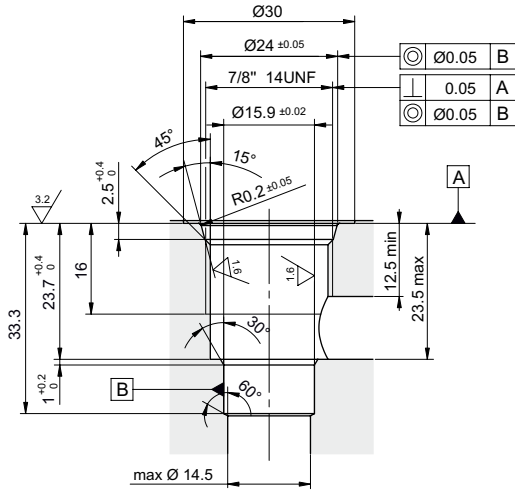
CD019006

7/8 14UNF

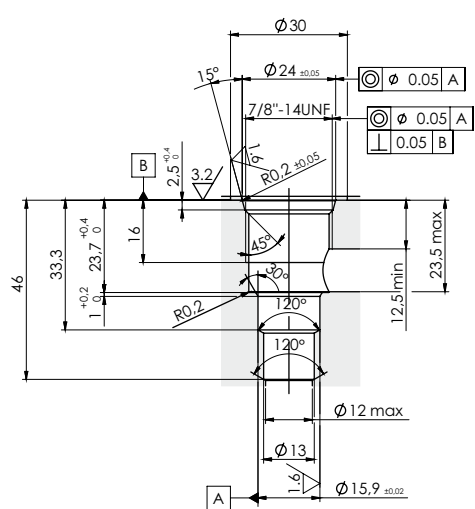


Plugs compatibility:

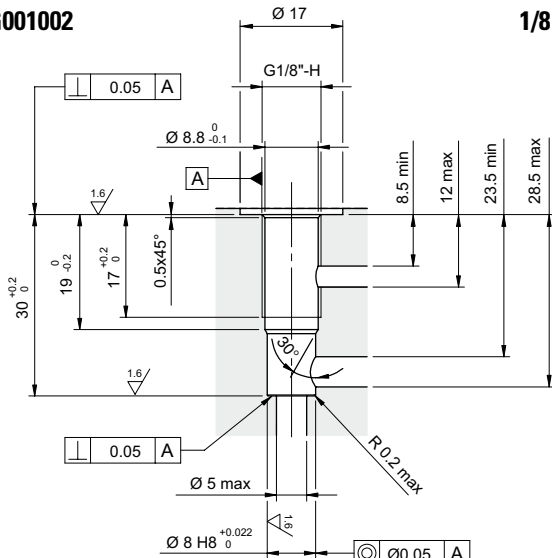
| | | | | |
|--|--|--|--|--|
| | | | | |
|--|--|--|--|--|

CD019007
7/8 14UNF

Plugs compatibility:

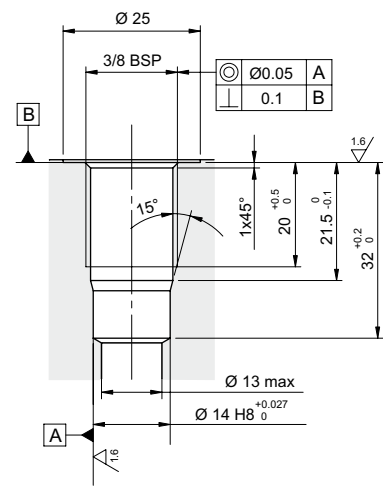
| | | | | |
|--|--|--|--|--|
| | | | | |
|--|--|--|--|--|

CD019011
7/8 14UNF

Plugs compatibility:

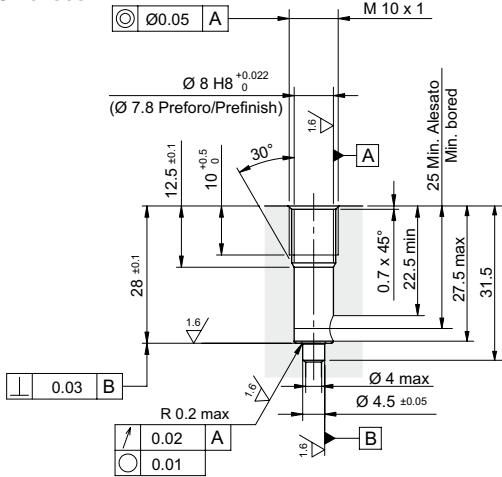
| | | | | |
|--|--|--|--|--|
| | | | | |
|--|--|--|--|--|

CG001002
1/8 BSP

Plugs compatibility:

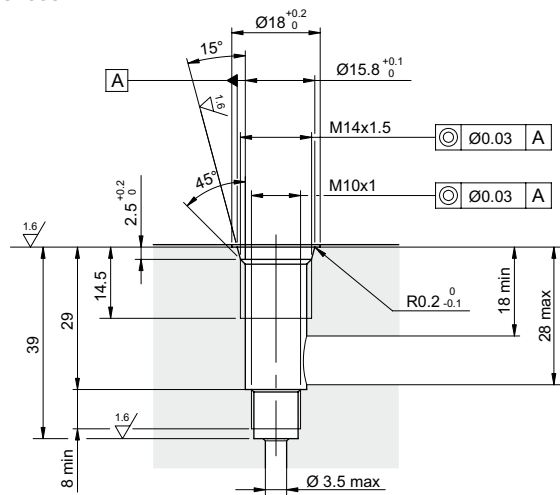
| | | | | |
|--|--|--|--|--|
| | | | | |
|--|--|--|--|--|

CG003004
3/8 BSP

Plugs compatibility:

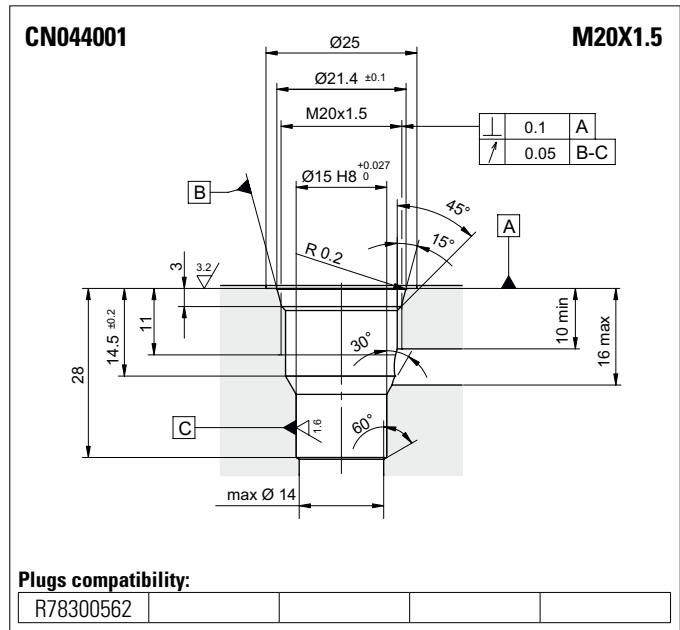
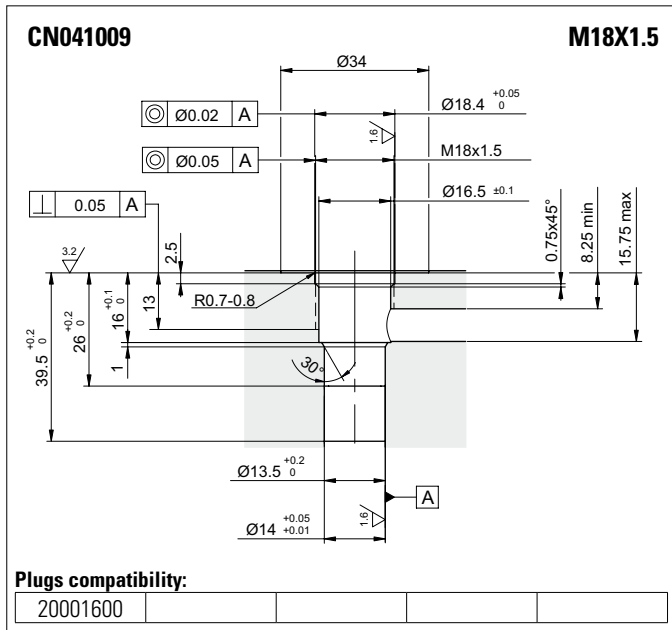
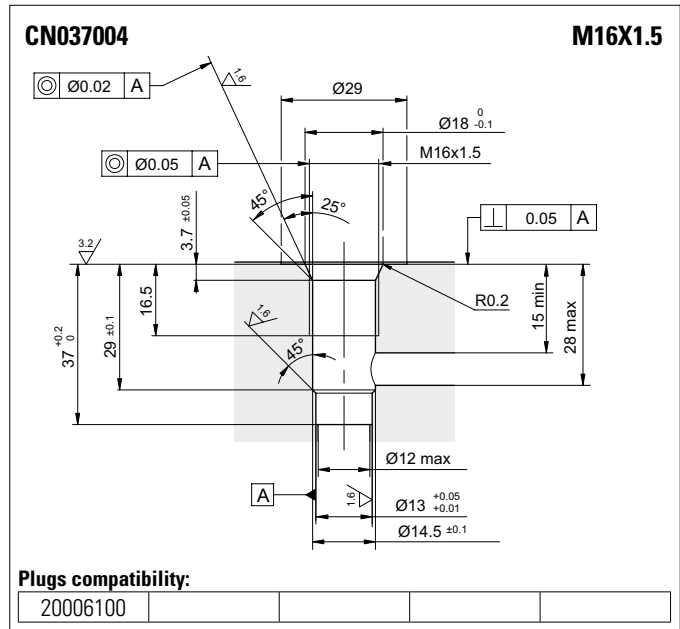
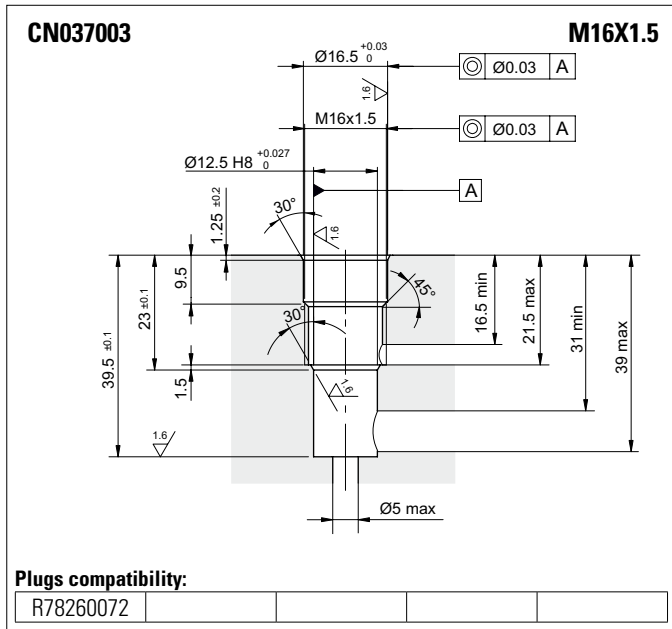
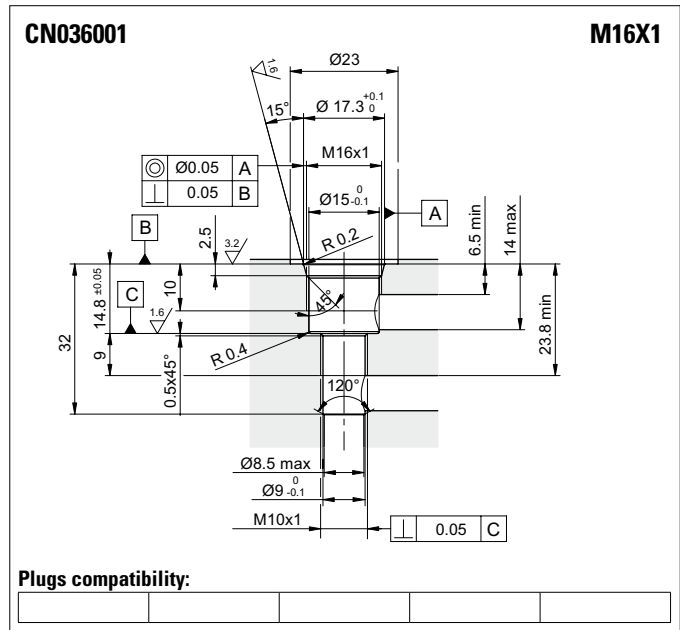
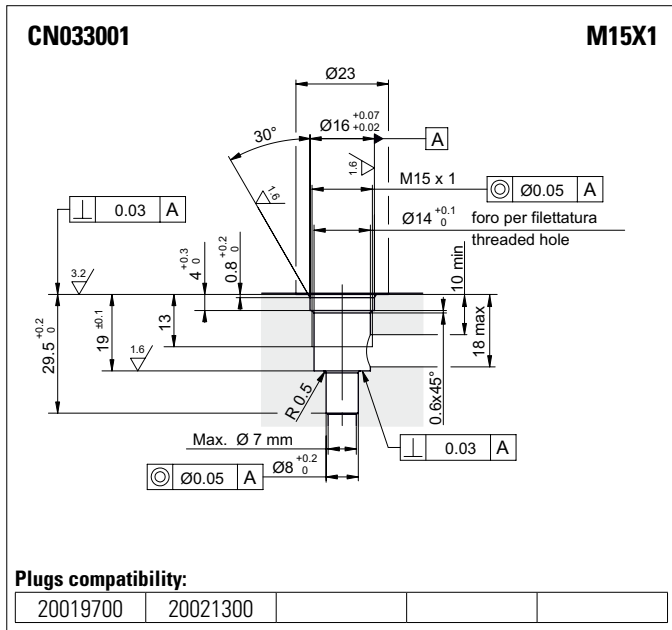
| | | | | |
|--|--|--|--|--|
| | | | | |
|--|--|--|--|--|

CN019002
M10X1

Plugs compatibility:

| | | | | |
|--|--|--|--|--|
| | | | | |
|--|--|--|--|--|

CN032005
M14X1.5

Plugs compatibility:

| | | | | |
|--|--|--|--|--|
| | | | | |
|--|--|--|--|--|



CN047002 **M22X1.5**

| | |
|-------|-----|
| 0.05 | A |
| Ø0.02 | B-C |

| | |
|-------------|----------------------------------|
| Max. Ø 10.5 | |
| Ø17 H8 | ^{+0.027} / ₀ |
| Ø19 H8 | ^{+0.033} / ₀ |

Plugs compatibility:

| | | | |
|-----------|--|--|--|
| R78050014 | | | |
|-----------|--|--|--|

CN047003 **M22X1.5**

| | |
|-------|---|
| 0.05 | A |
| Ø0.02 | B |

| | |
|-----------|----------------------------------|
| Max Ø16.5 | |
| Ø17.5 H8 | ^{+0.027} / ₀ |

Plugs compatibility:

| | | | |
|-----------|--|--|--|
| R78400A17 | | | |
|-----------|--|--|--|

CN051001 **M24X2**

| | |
|-------|---|
| 0.05 | A |
| Ø0.02 | B |

| | |
|----------|--|
| Max. Ø13 | |
|----------|--|

Plugs compatibility:

| | | | |
|-----------|--|--|--|
| R78300564 | | | |
|-----------|--|--|--|

CN059001 **M27X1.5**

| | |
|-------|---|
| Ø0.03 | A |
|-------|---|

| | |
|---------|--|
| Ø12 max | |
|---------|--|

Plugs compatibility:

| | | | |
|--|--|--|--|
| | | | |
|--|--|--|--|

CN070001 **M33X2**

| | |
|-------|---|
| 0.01 | A |
| Ø0.02 | B |

| | |
|----------|--|
| MAX. Ø20 | |
|----------|--|

Plugs compatibility:

| | | | |
|-----------|--|--|--|
| R78400568 | | | |
|-----------|--|--|--|

Plugs compatibility:

| | | | |
|--|--|--|--|
| | | | |
|--|--|--|--|